

REVELATION

by UTTERMOST

ASSEMBLY INSTRUCTIONS

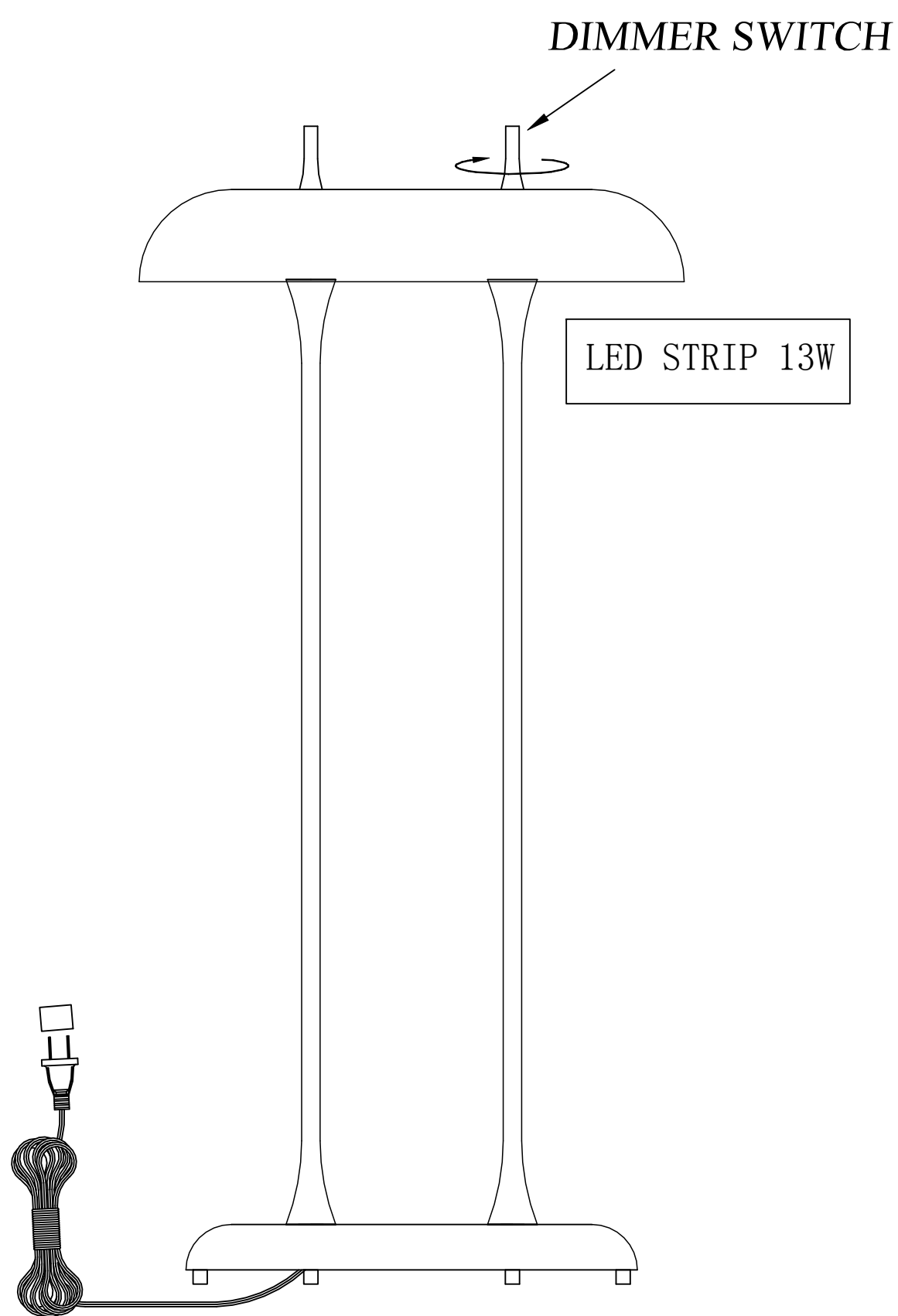
Assembly Instruction

STYLE NO.: R30442-1

1. Take the parts carefully out of the carton, and place them on a flat surface, make sure that the parts will not be damaged.

2. When the top part is turned clockwise, the light will turn on; when the maximum brightness is reached, please stop turning it clockwise.

3. Turn off the light counterclockwise.



To clean, wipe with soft dry cloth.

NOTE: THE DRAWING OF THE LAMP BODY IS FOR REFERENCE ONLY.